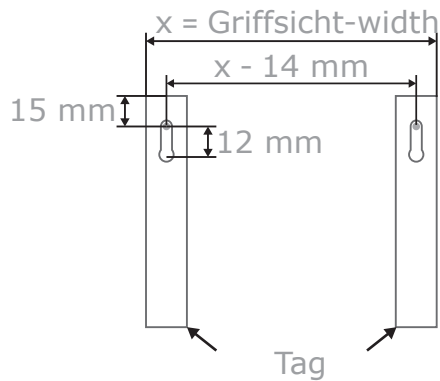


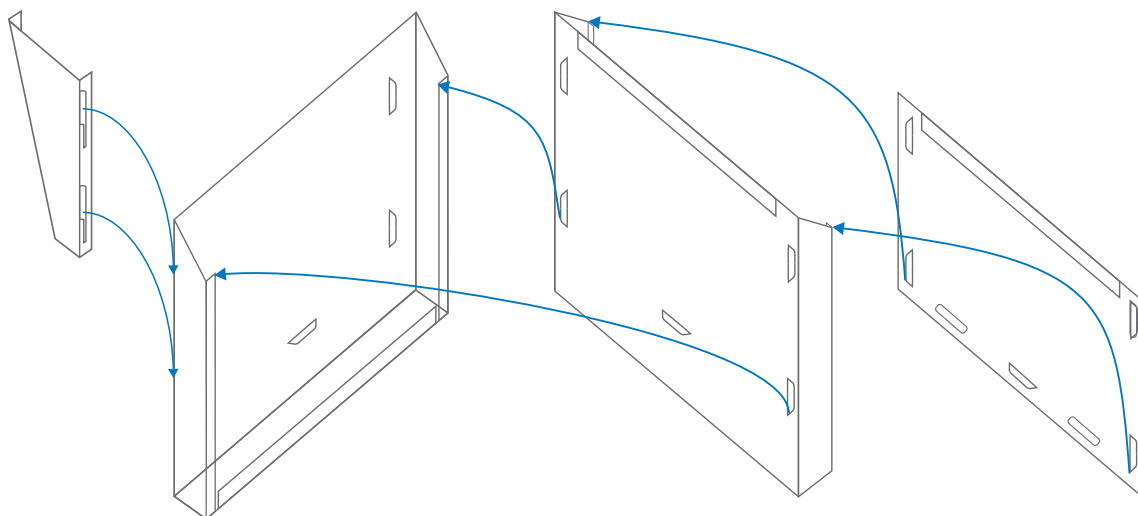


1. Mount the tag at the Griffsicht-single element.
2. Mark the hole spacing at the wall, drill, mount dowel and screw.



Side view Griffsicht-basic unit

3. Push the extension element (Griffsicht-single element) powerful on the mounted Griffsicht-single element. The punched tongue should grab into the lateral splay. The intermediate tongue should grab into the lower splay.
4. Put the border plate into the last Griffsicht-single element.
5. Suspend the entire Griffsicht-unit on the screws.



Tag

Griffsicht-single element

Border plate