

# 5G COMBO MIMO MOBILE ROOF SMA ANTENNA



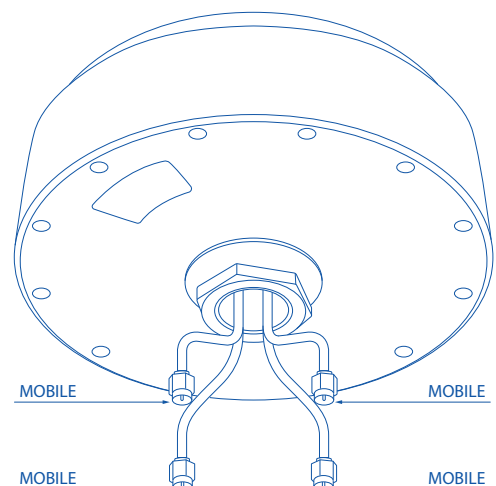
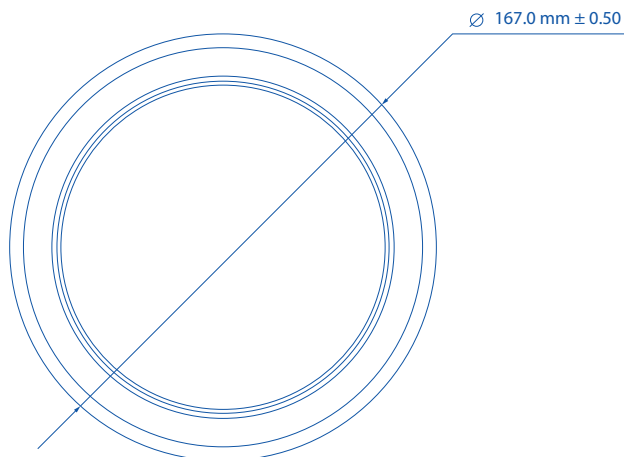
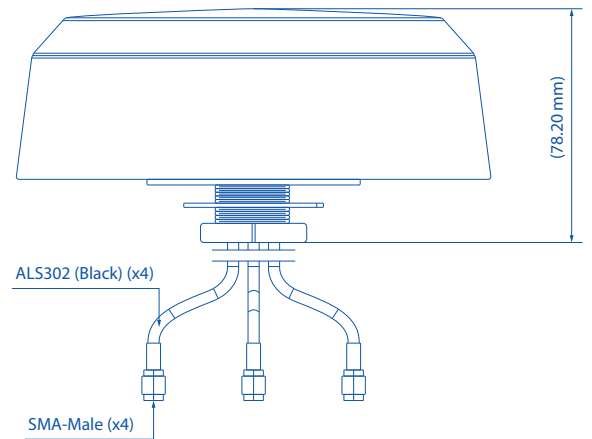
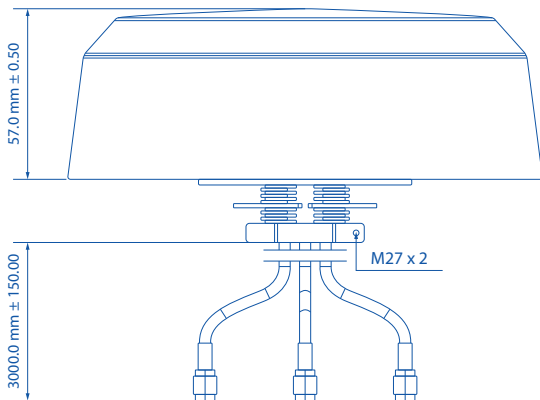
## TECHNICAL DATA

### 5G MOBILE MIMO ANTENNA

|                          |                            |
|--------------------------|----------------------------|
| Frequency range          | 600 ~ 960, 1400 ~ 6000 MHz |
| Polarisation             | Linear                     |
| Radiation pattern type   | Omni-directional           |
| Gain                     | Max 4.7 dBi                |
| V.S.W.R                  | ≤ 3.4                      |
| Impedance                | 50 Ω                       |
| Connector type and count | 4x SMA Male                |

### MECHANICAL / ENVIRONMENTAL

|                       |  |
|-----------------------|--|
| Cable                 | 4x ALS302, 3000 mm                                     |
| Operating temperature | -40 °C to + 85 °C                                      |
| Mounting method       | Screw (M27 nut)  |
| IP rating             | IP67 (after installation) / IP69K (after installation) |
| Weight                | 701 g  |
| RoHS compliant        | ✓  |



- Notes:
1. Units: mm.
  2. Recommended assembly hole diameter: 28.00 mm.
  3. Recommended mounting plane thickness: 3.00 mm.