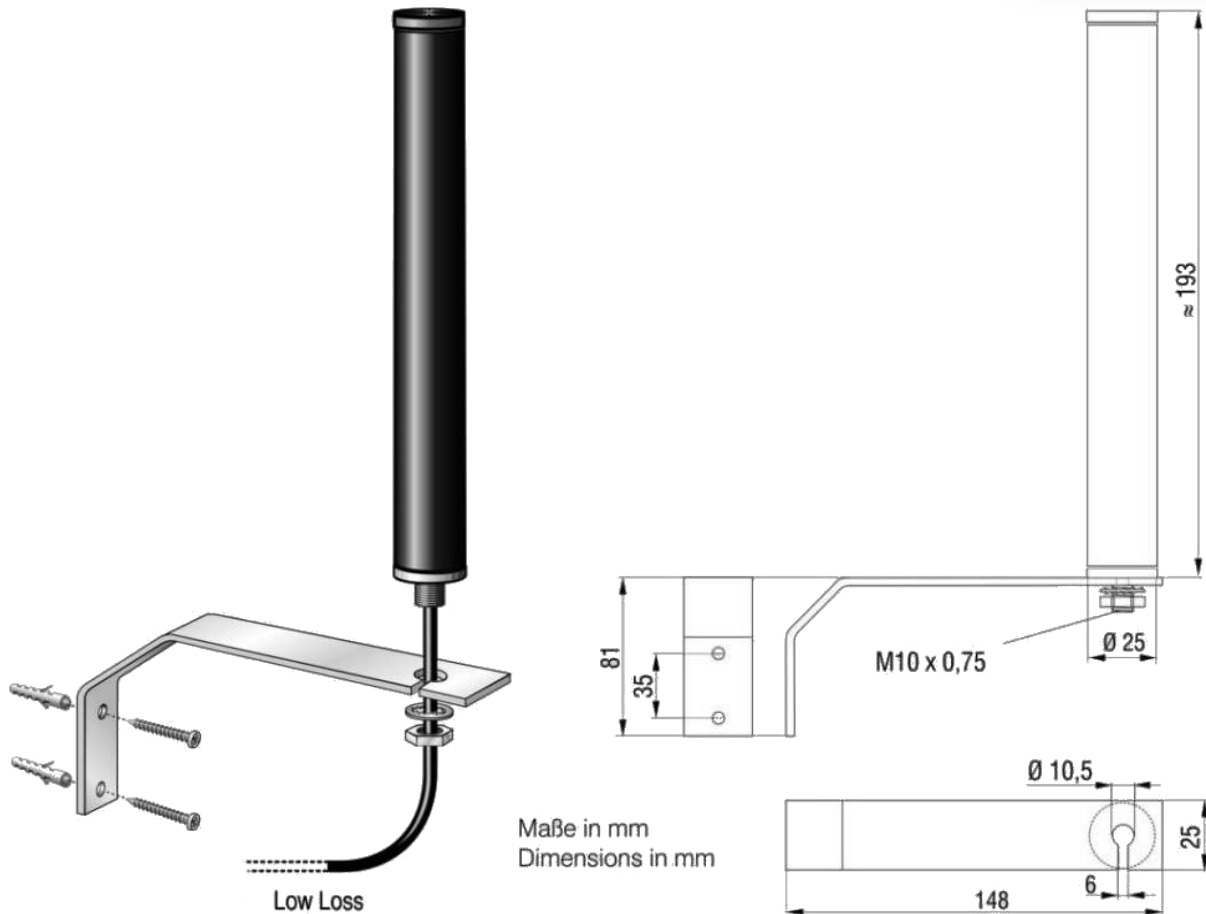




# GS-ANT-18-200-xx-xx



2G/3G/4G /5G - GSM Dual-Band, UMTS, LTE, 5G, WLAN – Antenna				
Technical Data				
Radio Networks	2G/3G/4G/5G	2G/3G/4G/5G	2G/3G/4G/5G	WLAN 2,4
Frequency	735-960 MHz	1544-3194 MHz	3400-3800 MHz	2400-2500 MHz
VSWR	≤ 3.0 : 1	≤ 2.0 : 1	≤ 3.0 : 1	≤ 2.0 : 1
Gain	1dbi ± 0,5 db		3dbi ± 0,5 db	
Impedance	50 Ω			
Polarization	Linear, vertical			
UV resistance	exists			

All stated values were determined without cable.

# GS-ANT-18-200-xx-xx

Mechanical Data																				
	Dimensions (ØxL)	ca. 25 mm x 193 mm																		
	Connecting cable	LowLoss																		
	range of application	for indoor / outdoor use																		
	Variants SMA: <table border="1" style="display: inline-table; vertical-align: top;"> <tr><td>GS-ANT-18-200</td><td>3 m SMA (m)</td></tr> <tr><td>GS-ANT-18-200-5M</td><td>5 m SMA (m)</td></tr> <tr><td>GS-ANT-18-200-10M</td><td>10 m SMA (m)</td></tr> <tr><td>GS-ANT-18-200-15M</td><td>15 m SMA (m)</td></tr> <tr><td>GS-ANT-18-200-20M</td><td>20 m SMA (m)</td></tr> <tr><td>GS-ANT-18-200-25M</td><td>25 m SMA (m)</td></tr> <tr><td>GS-ANT-18-200-30M</td><td>30 m SMA (m)</td></tr> <tr><td>GS-ANT-18-200-40M</td><td>40 m SMA (m)</td></tr> <tr><td>GS-ANT-18-200-50M</td><td>50 m SMA (m)</td></tr> </table>	GS-ANT-18-200	3 m SMA (m)	GS-ANT-18-200-5M	5 m SMA (m)	GS-ANT-18-200-10M	10 m SMA (m)	GS-ANT-18-200-15M	15 m SMA (m)	GS-ANT-18-200-20M	20 m SMA (m)	GS-ANT-18-200-25M	25 m SMA (m)	GS-ANT-18-200-30M	30 m SMA (m)	GS-ANT-18-200-40M	40 m SMA (m)	GS-ANT-18-200-50M	50 m SMA (m)	
GS-ANT-18-200	3 m SMA (m)																			
GS-ANT-18-200-5M	5 m SMA (m)																			
GS-ANT-18-200-10M	10 m SMA (m)																			
GS-ANT-18-200-15M	15 m SMA (m)																			
GS-ANT-18-200-20M	20 m SMA (m)																			
GS-ANT-18-200-25M	25 m SMA (m)																			
GS-ANT-18-200-30M	30 m SMA (m)																			
GS-ANT-18-200-40M	40 m SMA (m)																			
GS-ANT-18-200-50M	50 m SMA (m)																			
	Variants FME: <table border="1" style="display: inline-table; vertical-align: top;"> <tr><td>GS-ANT-18-200-FME</td><td>3 m FME (f)</td></tr> <tr><td>GS-ANT-18-200-5M-FME</td><td>5 m FME (f)</td></tr> <tr><td>GS-ANT-18-200-10-FME</td><td>10 m FME (f)</td></tr> <tr><td>GS-ANT-18-200-15-FME</td><td>15 m FME (f)</td></tr> <tr><td>GS-ANT-18-200-20-FME</td><td>20 m FME (f)</td></tr> <tr><td>GS-ANT-18-200-25-FME</td><td>25 m FME (f)</td></tr> <tr><td>GS-ANT-18-200-30-FME</td><td>30 m FME (f)</td></tr> <tr><td>GS-ANT-18-200-35-FME</td><td>35 m FME (f)</td></tr> </table>	GS-ANT-18-200-FME	3 m FME (f)	GS-ANT-18-200-5M-FME	5 m FME (f)	GS-ANT-18-200-10-FME	10 m FME (f)	GS-ANT-18-200-15-FME	15 m FME (f)	GS-ANT-18-200-20-FME	20 m FME (f)	GS-ANT-18-200-25-FME	25 m FME (f)	GS-ANT-18-200-30-FME	30 m FME (f)	GS-ANT-18-200-35-FME	35 m FME (f)			
GS-ANT-18-200-FME	3 m FME (f)																			
GS-ANT-18-200-5M-FME	5 m FME (f)																			
GS-ANT-18-200-10-FME	10 m FME (f)																			
GS-ANT-18-200-15-FME	15 m FME (f)																			
GS-ANT-18-200-20-FME	20 m FME (f)																			
GS-ANT-18-200-25-FME	25 m FME (f)																			
GS-ANT-18-200-30-FME	30 m FME (f)																			
GS-ANT-18-200-35-FME	35 m FME (f)																			
RoHS conform																				

## Return Loss:

